

*Boundaries
Without
Limits*

Phone

Tel: 01608 678238

Web

Web:
www.duralock.com
Email:
sales@duralock.com

Address

Duralock UK Ltd
6A Enstone Business Park,
Enstone, Chipping Norton,
Oxfordshire OX74NP

DURALOCK SPORTS

— PERFORMANCE FENCING —



DURALOCK IS THE MARKET LEADING, HIGH PERFORMANCE FENCING SYSTEM



Boundaries Without Limits

INTRODUCTION

Duralock is the market leading, high performance fencing system that delivers in every respect.

Safe and robust, the award winning PVC-u construction withstands heavy use in all weathers, making Duralock ideal for a broad range of applications.

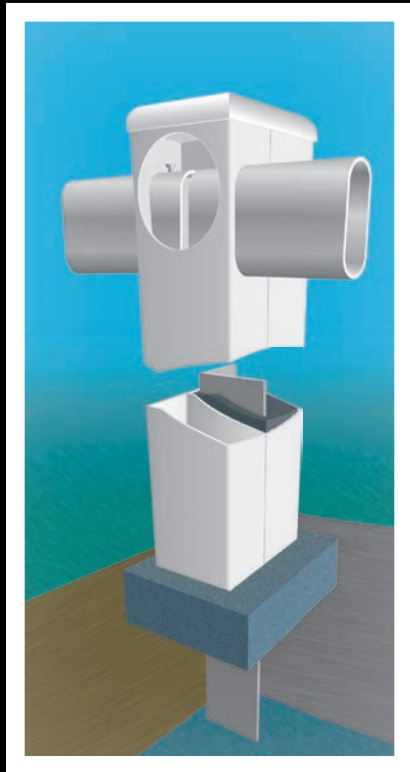
Established more than two decades ago, Duralock has developed into a world-renowned company, focused on delivering the finest equestrian and sports fencing. Produced in the UK and shipped Worldwide, we have a truly international reach, with clients across the globe.

Duralock Sports Performance Fencing has been developed specifically with sports in mind and is approved by sports governing bodies Worldwide. From The Premier League through to grassroots clubs, our patented system suits all.

All of our fencing systems use an award winning patented dual chamber design and are suitable for use on all surfaces, from natural turf, to artificial surfaces.

Duralock Performance Fencing prides itself on **quality, substance** and **professionalism**.

DURALOCK
PERFORMANCE FENCING



- › **Strong**
PVC-u formulation with impact modifiers provides incredible strength.
- › **Durable**
Ultraviolet inhibitors protect the PVC-u from the sun. Duralock fencing will not warp, split, peel or splinter.
- › **Safe**
The smooth, rounded surfaces and concealed fixings of the system make Duralock fencing exceptionally safe.
- › **Easy to Install**
Duralock's patented, award-winning design makes self-installation simple and straight-forward.
- › **Maintenance-Free**
Once installed the investment is complete. Nails, paint, rotting posts and cribbed rails become things of the past.

FLEXIBLE SYSTEMS

SWITCH THE PLAY.

All Duralock fencing products are available as permanent, demountable or removable fixtures.

Permanent installations can be fixed with steels surrounded by concrete in one side of our signature patented dual chamber post, achieving a strong and robust installation.

Does your fencing need to be removed seasonally? If so, our demountable system with extended posts will suit your needs – atheistically the same as our permanent systems, our demountable system enables you to take down your fencing at the end of the season – caps can be supplied to cover the sockets when the fencing is removed.

Especially developed 'feet' for 2 or 3 metre sections are available for temporary boundaries that you may wish to move and store, making them ideal for multi-use sports facilities.

Boundaries Without Limits

WHY CHOOSE DURALOCK

DURALOCK OFFERS A FULL SERVICE FROM PROJECT START TO FINISH :-



CONSULT

Duralock have an in-house team of technicians who are able to advise and support throughout your project.



DESIGN

With a wide project range available we are able to design a package to suit your individual requirements.



SUPPLY

We are proud that all of our products are handmade in Britain.



SHIP

Our logistics team have the experience of shipping in mainland UK and globally.



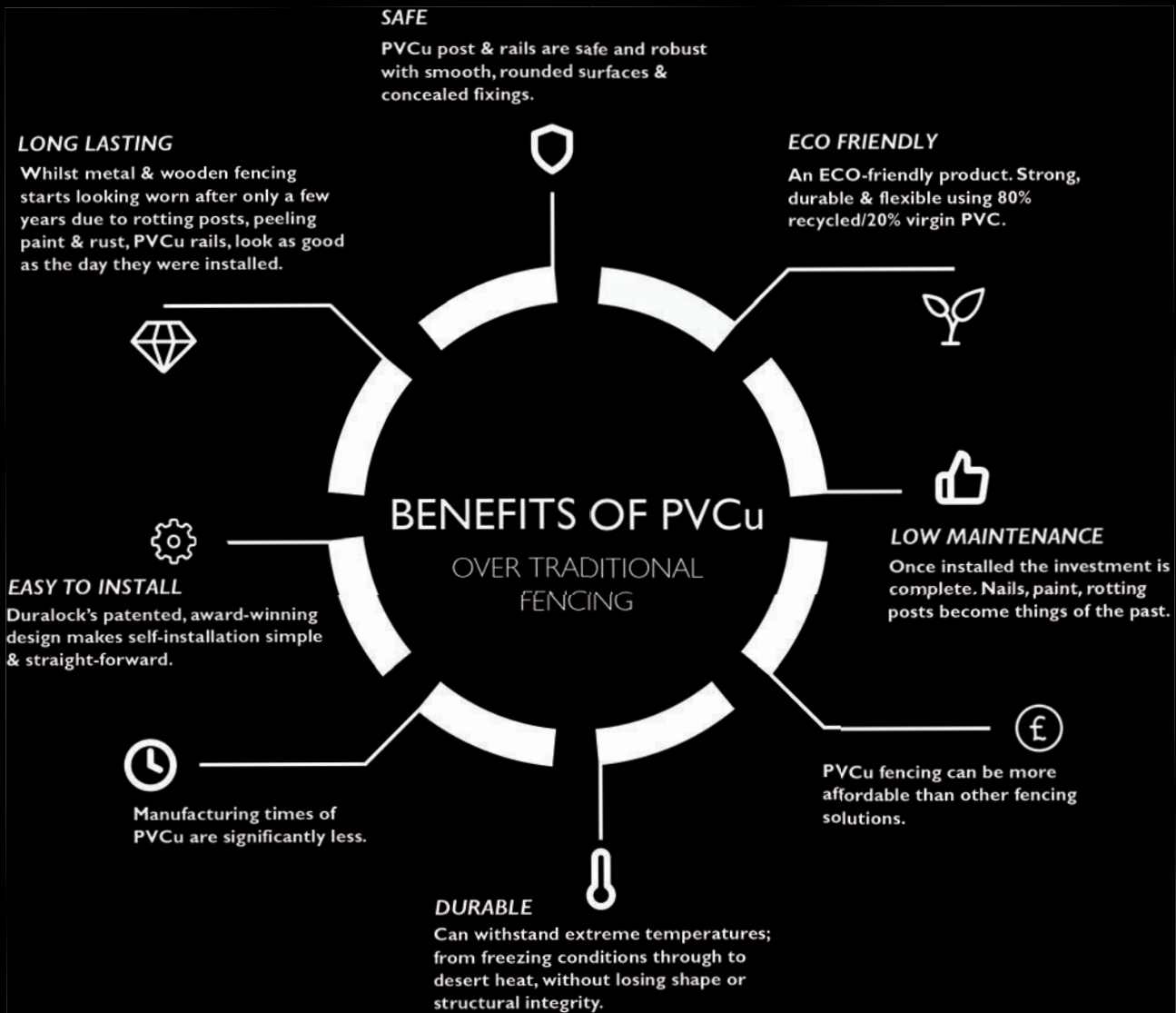
INSTALL

We have both an in-house installation team, as well as a large number of accredited installers worldwide.



MAINTAIN

Whilst Duralock products require little maintenance and can be managed by you, we offer numerous packages to support your needs.



Boundaries Without Limits

MULTI SPORT HALF MESH



A LEADER ON THE PITCH.

Designed specifically for sports clubs, our half mesh design prevents the ball from leaving the field of play.

This robust fence is strong enough to withstand heavy treatment, which means no worries about how they'll stand up to crowds or spectators.

DURALOCK
PERFORMANCE FENCING

CROWD BARRIER WITH HALF MESH INFILL [PR I200/3-HALFMESH]

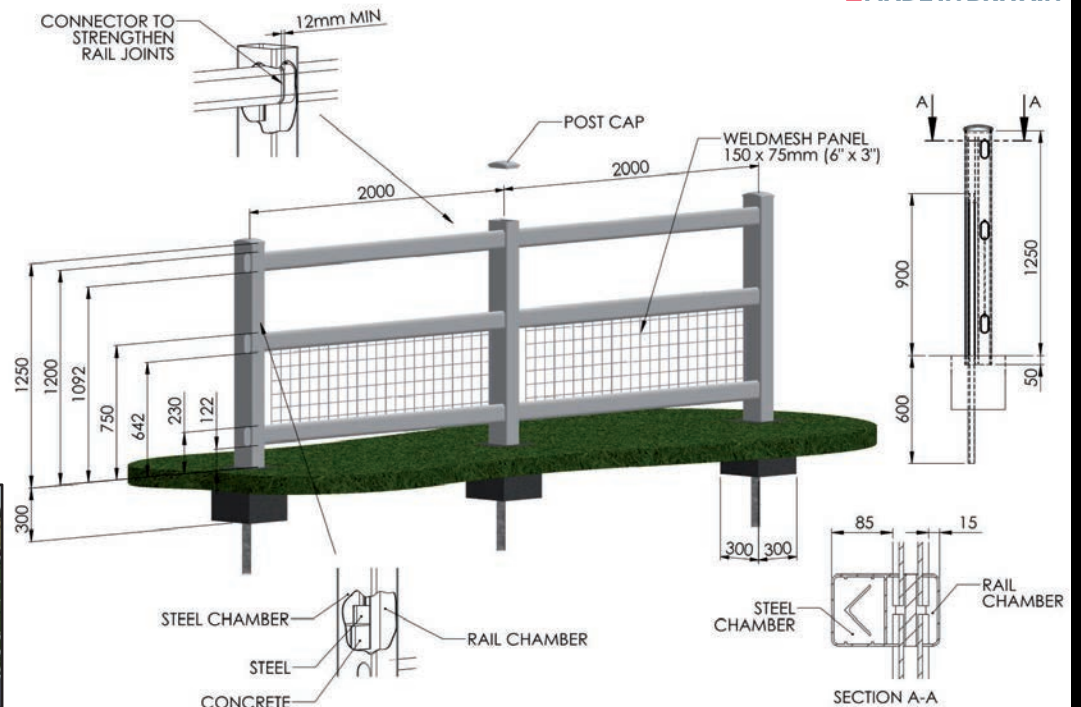
MADE IN BRITAIN

VERSION: I - 08.2018

PAGE: 18B

DURALOCK FENCING LTD
RESERVE THE RIGHT TO ALTER
SPECIFICATIONS WITHOUT
NOTICE

ALL DIMENSIONS ARE
NOMINAL PLEASE CHECK IF
CRITICAL



CONTACT

t: +44 (0)1608 678238
e: SALES@DURALOCK.COM
w: WWW.DURALOCK.COM

COMPONENTS:

- 100MM X 150MM POST
- 100MM X 150MM POST CAP
- WELDMESH PANEL
- 108MM X 50MM DRILLED RAIL
- 50MM X 50MM X 3MM, 1.5M LONG GROUND FIXING STEEL

DURALOCK (UK) LTD
ENSTONE BUSINESS PARK
ENSTONE
OXFORDSHIRE
OX7 4NP

SPECTATOR RAIL



A TEAM PLAYER.

Duralock spectator rail is safe & robust and offers a clear demarcation between spectators & officials.

The rail is available in all sizes to conform to national governing body pitch dimensions, with suitable telescopic access points.

DURALOCK
PERFORMANCE FENCING

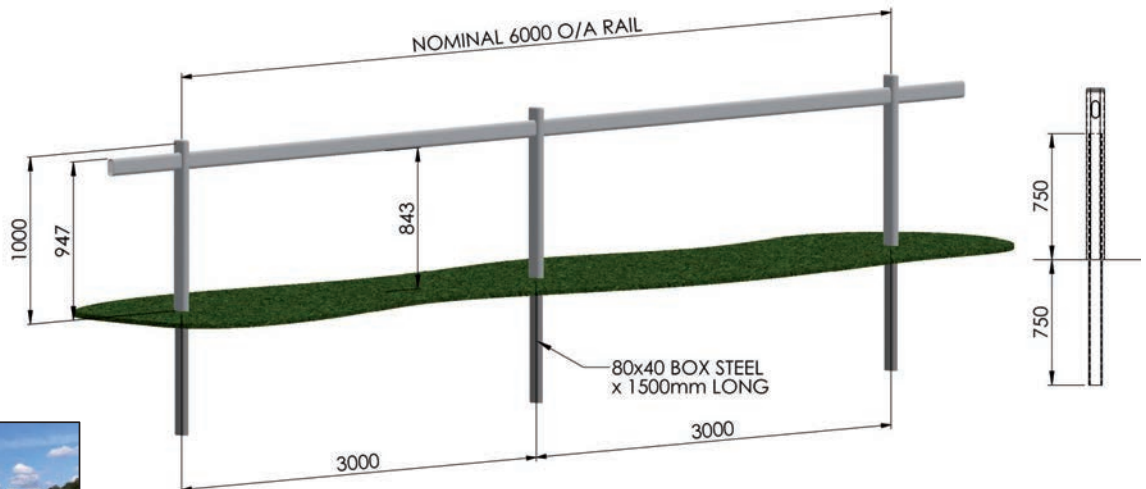
SPECTATOR RAIL [SPR950 I]

MADE IN BRITAIN

VERSION: 1 - 08.2018
PAGE: 18C

DURALOCK FENCING LTD
RESERVE THE RIGHT TO ALTER
SPECIFICATIONS WITHOUT
NOTICE

ALL DIMENSIONS ARE
NOMINAL PLEASE CHECK IF
CRITICAL



CONTACT

t: +44 (0)1608 678238
e: SALES@DURALOCK.COM
w: WWW.DURALOCK.COM

COMPONENTS:

- CONNECTOR RAIL
- RAIL CAPS
- 108MM X 50MM RAIL
- BOX STEEL GROUND FIXING

DURALOCK (UK) LTD
ENSTONE BUSINESS PARK
ENSTONE
OXFORDSHIRE
OX7 4NP

Boundaries Without Limits

POST AND RAIL



FENCING WITH STAMINA.

You need a fencing system you can trust on safety. Duralock fencing won't let the team down.

We've designed it to flex under impact, reducing the risk of injury. And we've cut out the sharp bits: concealed fixings and smooth rounded surfaces make the whole system exceptionally safe.

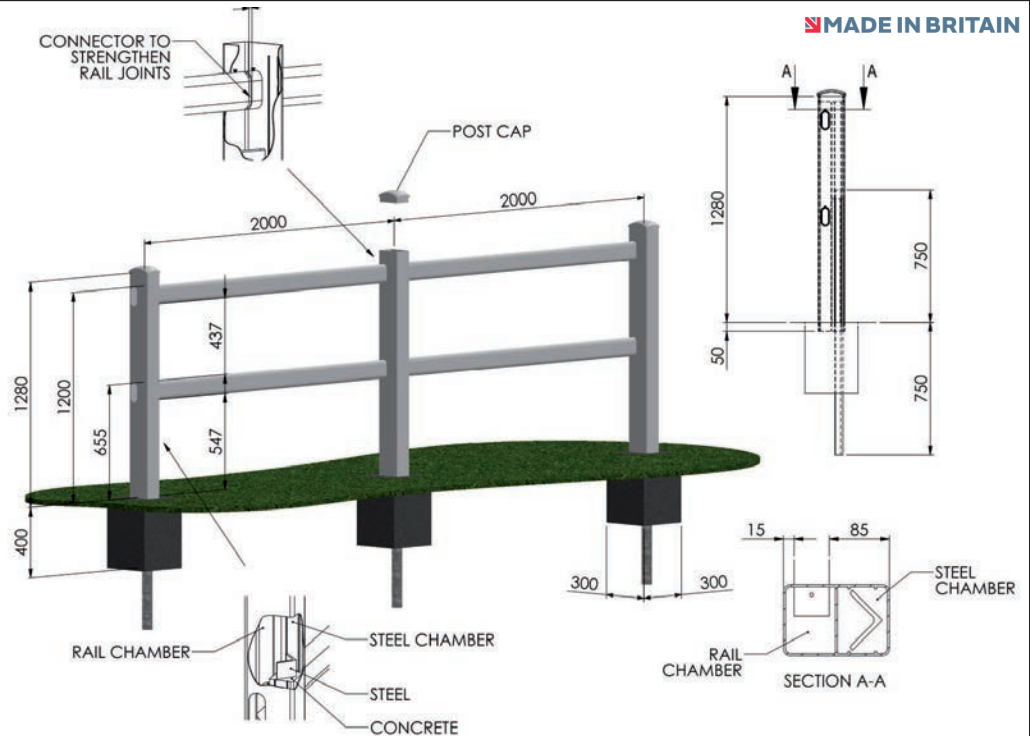
DURALOCK
PERFORMANCE FENCING

POST AND 2 RAIL FENCING [PR1200/2]

VERSION: 1 - 08.2018
PAGE: 15A

DURALOCK FENCING LTD
RESERVE THE RIGHT TO ALTER
SPECIFICATIONS WITHOUT
NOTICE

ALL DIMENSIONS ARE
NOMINAL PLEASE CHECK IF
CRITICAL



CONTACT

t: +44 (0)1608 678238
e: SALES@DURALOCK.COM
w: WWW.DURALOCK.COM

COMPONENTS:

- 100MM X 150MM POST
- 100MM X 150MM POST CAP
- 108MM X 50MM RAIL
- 50MM X 50MM X 3MM, 1.5M LONG GROUND FIXING STEEL

DURALOCK (UK) LTD
ENSTONE BUSINESS PARK
ENSTONE
OXFORDSHIRE
OX7 4NP

PICKET FENCING



THE ALL ROUNDER.

Duralock picket fencing brings you the iconic look of a white picket fence in zero-maintenance, hard-wearing PVC-u. Our picket fencing is the perfect solution for pitch and pavilion.

Impressive and smart, Duralock picket is sure to make staff, players and spectators proud of their club. Duralock also boasts advanced safety; with concealed fixings, smooth edges and non-splintering, it is also extremely strong and durable.

DURALOCK
PERFORMANCE FENCING

PICKET FENCING [PK900/2]

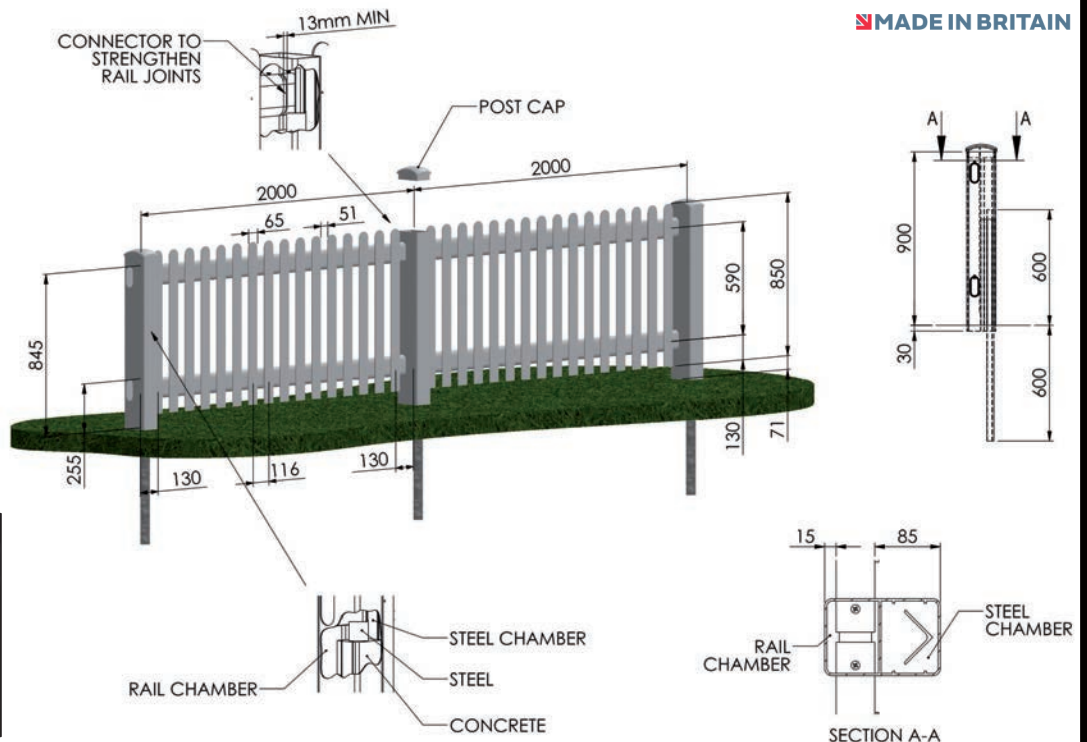
MADE IN BRITAIN

VERSION: 1 - 09.2018

PAGE: 41

DURALOCK FENCING LTD
RESERVE THE RIGHT TO ALTER
SPECIFICATIONS WITHOUT
NOTICE

ALL DIMENSIONS ARE
NOMINAL PLEASE CHECK IF
CRITICAL



CONTACT

t: +44 (0)1608 678238
e: SALES@DURALOCK.COM
w: WWW.DURALOCK.COM

COMPONENTS:

- 100MM X 150MM POST
- 100MM X 150MM POST CAP
- 108MM X 50MM RAIL
- 50MM X 50MM X 3MM, 1.5M LONG GROUND FIXING STEEL
- PICKET SLAT

DURALOCK (UK) LTD
ENSTONE BUSINESS PARK
ENSTONE
OXFORDSHIRE
OX7 4NP

Boundaries Without Limits

MOVEABLE BARRIERS



A TACTICAL DECISION.

In addition to our fixed fence systems, we also offer stable and flexibly deployable mobile fences.

On customer request, we also deliver every “fixed” system as a mobile version. The mobile fences are ideal for use at events and fairs, where separation is needed.

DURALOCK
PERFORMANCE FENCING

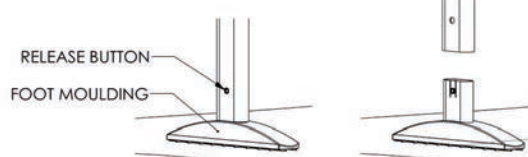
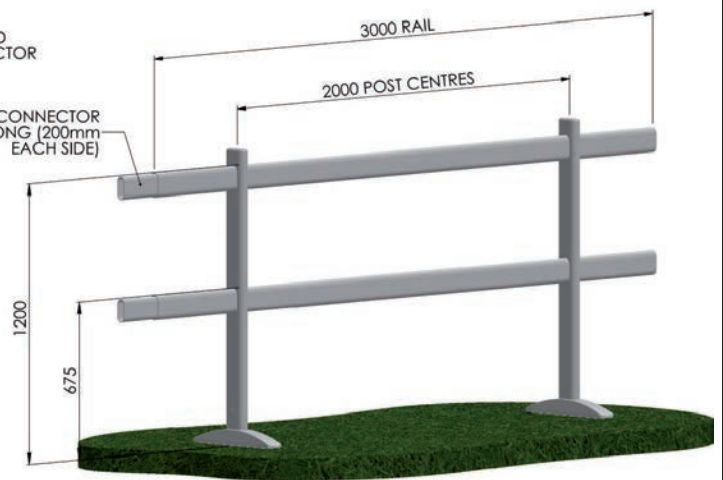
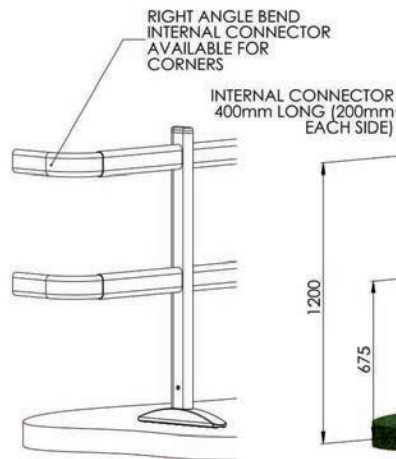
POST AND 2 RAIL MOVEABLE BARRIER [PRM1200/2-3M]

MADE IN BRITAIN

VERSION: 1 - 08.2018
PAGE: 58C

DURALOCK FENCING LTD
RESERVE THE RIGHT TO ALTER
SPECIFICATIONS WITHOUT
NOTICE

ALL DIMENSIONS ARE
NOMINAL PLEASE CHECK IF
CRITICAL



CONTACT

t: +44 (0)1608 678238
e: SALES@DURALOCK.COM
w: WWW.DURALOCK.COM

COMPONENTS:

- CONNECTOR RAIL
- RAIL CAPS
- 108MM X 50MM RAIL
- REMOVEABLE BALAST FEET

DURALOCK (UK) LTD
ENSTONE BUSINESS PARK
ENSTONE
OXFORDSHIRE
OX7 4NP

GATES



A SAFE PAIR OF HANDS.

We also offer suitable gates for each of our fencing systems. We can design and install a variety of types of gate to suit your facility. From a small gate only for pedestrians to large coupling or rolling gates for the use of heavy machinery.



Boundaries Without Limits

ADVERTISING BOARD CLIPS



REVOLUTIONISE YOUR PITCH.

Our fencing solutions are designed to enable you to maximise advertising revenue. An average of £4000 per pitch per annum can be generated from the sale of advertising boards. Our bespoke Duralock clips are available to allow for an easy changeover.

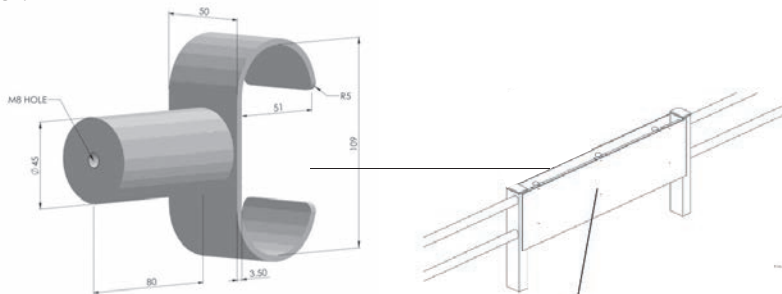
The clips are suitable for use on both the Multi-Sport Half mesh and Post & Rails systems.

DURALOCK
PERFORMANCE FENCING

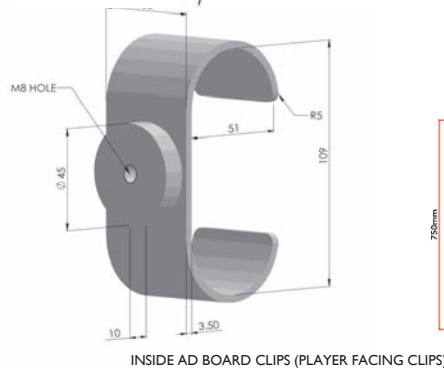
ADVERTISING BOARD CLIPS

MADE IN BRITAIN

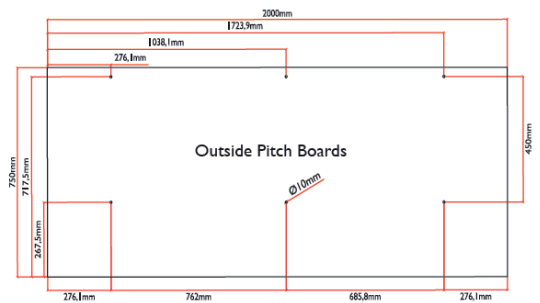
VERSION: 1 - 08.2018
PAGE: 144



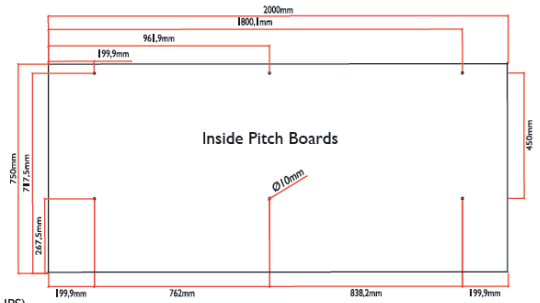
OUTSIDE AD BOARD CLIPS (CROWD FACING CLIPS)



INSIDE AD BOARD CLIPS (PLAYER FACING CLIPS)



Outside Pitch Boards



Inside Pitch Boards

DURALOCK FENCING LTD
RESERVE THE RIGHT TO ALTER
SPECIFICATIONS WITHOUT
NOTICE

ALL DIMENSIONS ARE
NOMINAL PLEASE CHECK IF
CRITICAL

CONTACT
t: +44 (0)1608 678238
e: SALES@DURALOCK.COM
w: WWW.DURALOCK.COM

DURALOCK (UK) LTD
ENSTONE BUSINESS PARK
ENSTONE
OXFORDSHIRE
OX7 4NP

The transformation was amazing, providing a professional, durable and clean fencing system. I would recommend Duralock without hesitation to anyone looking for a fencing system. The sales and after sales teams have been quick and efficient throughout

**MATT GAMON, GENERAL MANAGER
AYLESBURY RUGBY CLUB**



Boundaries Without Limits





DURALOCK

— PERFORMANCE FENCING —



TELEPHONE
+44 (0)1608 678238

VISIT OUR WEBSITE
www.duralock.com

EMAIL
sales@duralock.com

DURALOCK UK LTD. 6A ENSTONE BUSINESS PARK, ENSTONE, CHIPPING NORTON, OXFORDSHIRE, OX7 4NP